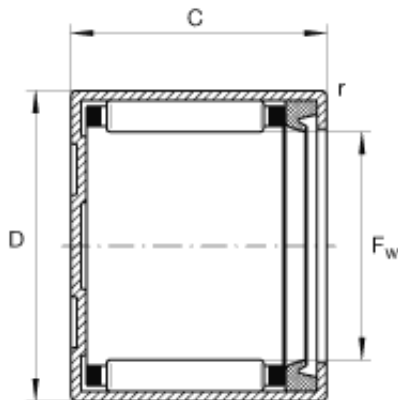




**INA BCH79-P needle roller bearings**



Bearing No. BCH79-P

Size	11.112x17.462x14.288 mm
Bore Diameter	11,112 mm
Outer Diameter	17,462 mm
Width	14,288 mm
F <sub>w</sub>	3/8 inch
F <sub>w</sub>	11,112 mm
D	0,688 inch
D	17,462 mm
C	0,563 inch
C	14,288 mm
m	0,02 lbs / Weight
m	9 g / Weight
C <sub>r</sub>	1780 lbf / Dynamic load rating (radial)
C <sub>r</sub>	7900 N / Dynamic load rating (radial)
C <sub>0r</sub>	1840 lbf / Static load rating (radial)
C <sub>0r</sub>	8200 N / Static load rating (radial)
n <sub>G</sub>	20700 1/min / Limiting speed

BCH79-P Bearing 2D drawings and 3D CAD models