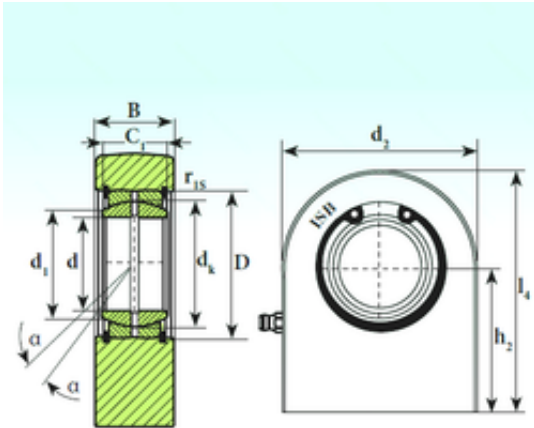




NTN Antriebstechnik G.m.b.H.



ISB T.P.N. 335 plain bearings 35 mm x 55 mm x 30 mm

Bearing No. T.P.N. 335

Bore Diameter	35 mm
Outer Diameter	55 mm
d	35 mm
D	55 mm
d1	39,7 mm
d2	83 mm
dk	47 mm
h2	61 mm
l4 max.	102,5 mm
r min.	0,6 mm
B	30 mm
C1	25 mm
Angle	6 °
Weight	1,5 Kg
Basic dynamic load rating (C)	80 kN

T.P.N. 335 Bearing 2D drawings and 3D CAD models