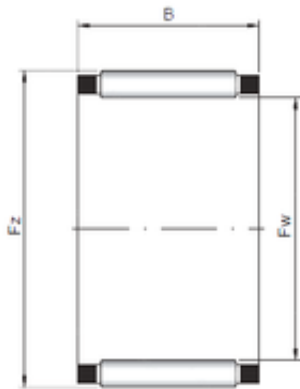




NTN Antriebstechnik G.m.b.H.

ISO K38x43x17 needle roller bearings



Bearing No. K38x43x17

Size	38x43x17 mm
Bore Diameter	38 mm
Outer Diameter	43 mm
Width	17 mm
Fw	38 mm
Ew	43 mm
B	17 mm

K38x43x17 Bearing 2D drawings and 3D CAD models