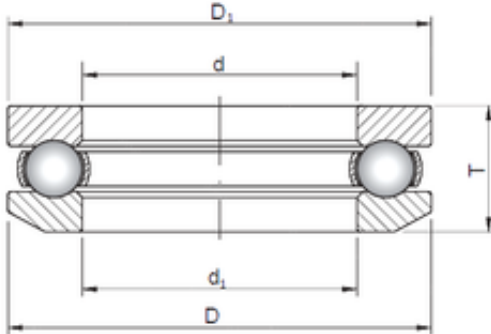




## ISO 53313 thrust ball bearings



Bearing No. 53313

Bore Diameter	65 mm
Outer Diameter	115 mm
d	65 mm
d1	67 mm
D	115 mm
D1	115 mm
T	39,4 mm

53313 Bearing 2D drawings and 3D CAD models