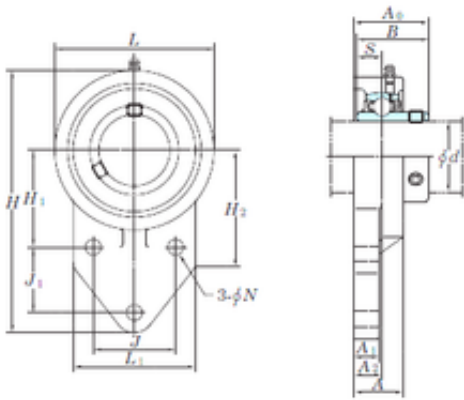




KOYO UCFB210 bearing units



Bearing No. UCFB210

Bore Diameter	50 mm
d	50 mm
A0	52,6 mm
A	35 mm
A1	18 mm
B	51,6 mm
H	184 mm
H1	68 mm
H2	82 mm
J	58 mm
L	112 mm
L1	86 mm
N	11 mm
S	19 mm
Bolt (G)	M10
A2	20 mm
J1	46 mm
Weight	2,3 Kg
Basic dynamic load rating (C)	35,1 kN
Basic static load rating (C0)	23,3 kN

UCFB210 Bearing 2D drawings and 3D CAD models