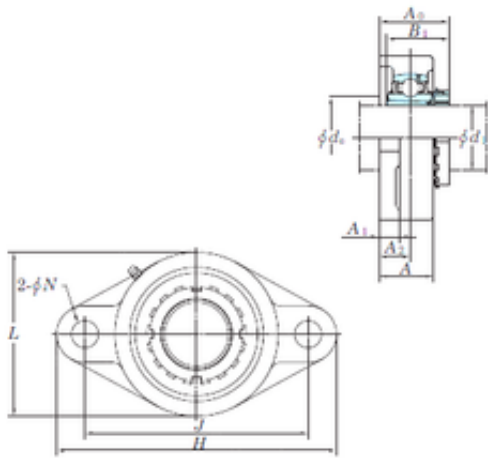




KOYO UKFL209 bearing units

Bearing No. UKFL209



UKFL209 Bearing 2D drawings and 3D CAD models

Bore Diameter	41,275 mm
d	41,275 mm
A0	47,5 mm
d3	52 mm
A	38 mm
A1	15 mm
B1	39 mm
H	188 mm
J	148 mm
L	108 mm
N	19 mm
Bolt (G)	M16
A2	22 mm
Weight	2 Kg
Basic dynamic load rating (C)	34,1 kN
Basic static load rating (C0)	21,3 kN