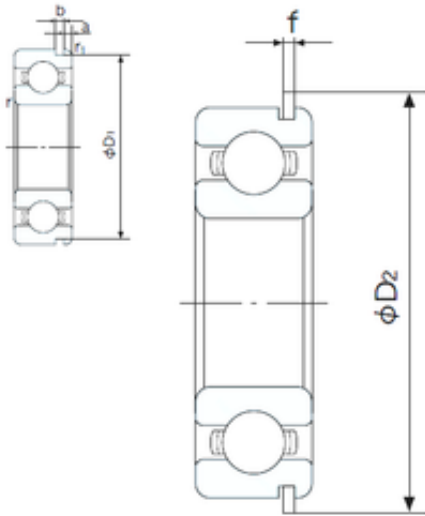




# NTN Antriebstechnik G.m.b.H.



6816NR Bearing 2D drawings and 3D CAD models

## NACHI 6816NR deep groove ball bearings 80 mm x 100 mm x 10 mm

Bearing No. 6816NR

Size	80x100x10 mm
Bore Diameter	80 mm
Outer Diameter	100 mm
Width	10 mm
d	80 mm
D	100 mm
B	10 mm
C	10 mm
a	1.7 mm
b	1.3 mm
f	1.12 mm
r min.	0.6 mm
r1 min.	0.5 mm
D1	97.9 mm
D2	104.4 mm
Weight	0.160 Kg
Basic dynamic load rating (C)	12,7 kN
Basic static load rating (C0)	13,3 kN
(Grease) Lubrication Speed	6000 r/min
Bore Type	Cylindrical Bore
Configuration	Single Row
Enclosure	Snap Ring Groove with Snap Ring
Bore Size	80 mm
Outside Diameter	100 mm



## NTN Antriebstechnik G.m.b.H.

Width	10 mm
Fillet Radius/Chamfer	0.6 mm
r1	0.5 mm
Snap Ring Width	1.1 mm
Snap Ring Outside Diameter	104.4 mm
D1 (max)	97.9 mm
a (max)	1.7 mm
b (min)	1.3 mm
Dynamic Load Rating	12,700 N
Static Load Rating	13,300 N
Limiting Speed - Grease	6,000 rpm
Limiting Speed - Oil	7,100 rpm
Factor fo	15.9
Radial Clearance	0.010 to 0.030 mm
da (min)	84 mm
Da (max)	96 mm
Dx (min)	106 mm
ra (max)	0.6 mm
Cy (max)	2.5 mm